

Parts in Stock and Ready for Delivery

Attachments

- Excavator Thumbs
- Root Rakes
- Backhoe Buckets
- Excavator Buckets
- Fork Assemblies
- Log Arches
- Winch Fairleads
- Gearmatic 19 Winch Parts



Backhoe Parts

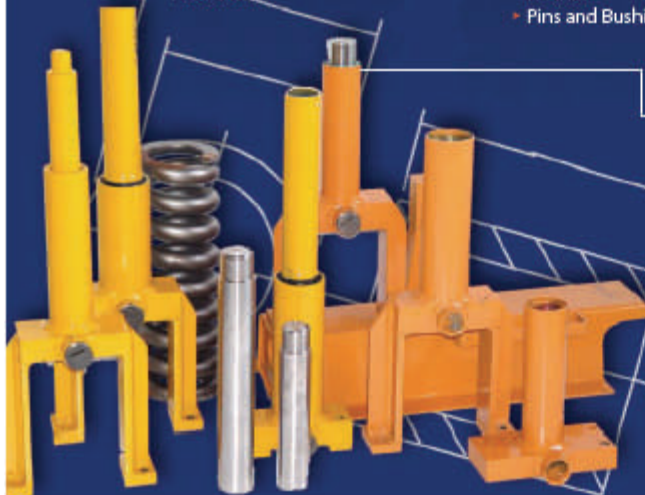
- Pins and Bushings
- Hydraulic Cylinders
- Hydraulic Pumps
- Bucket Links
- Wheel Rims
- Power Steering Valves
- Front Axle Parts
- Transmission Parts
- Shuttle Assemblies

Brakes and Clutches

- Steering Clutch Discs
- Brake Bands
- Pressure Plates
- Clutch Discs
- Brake Cylinders

Component Parts

- Mufflers
- Water Pumps
- Radiators
- Starters
- Alternators



Dozer Blade Parts

- Pins and Bushings
- Wear Plates
- Trunions
- Cutting Edges
- Hydraulic Cylinders
- Blade Skins
- **NEW!** C-Frame

Final Drives

- Bull Gears
- Pinion Gears
- Axle Shafts
- Bearing Kits
- Rebuilt Units

Hydraulic Components

- Hydraulic Pumps
- Hydraulic Cylinders
- Cylinder Tubes
- Cylinder Rods
- Seal Kits
- Large Selection of Case, Cat and John Deere Cylinders
- Skid Steer Cylinders

Hydraulic Excavator Parts

- Track Adjusters
- Recoil Springs
- Chain Guides
- Bucket Links
- H-Links
- Pins and Bushings



Power Train Parts

- Torque Converters
- Transmission Assemblies
- Power Shuttles
- Ring and Pinions
- Charge Pumps
- Planetary Parts
- Transmission Discs
- Transmission Gears

Seat Assemblies

- Seat Cushions
- Armrests
- Complete Seats
- Suspension Seats

Sheet Metal Parts

- Engine Side Shields
- Belly Pans
- Radiator Grilles
- Drawbars
- Limb Risers
- Brush Screens

Track Frame Components

- Track Adjusters
- Rock Guards
- Idler Wear Plates
- Recoil Springs
- Spring Covers
- Top Roller Stands
- Dead Axles
- Engine Side Frames
- Crossbars
- Track Frame Shields
- **NEW!** C-Frame



We stock NEW Hydraulic Cylinders for:
Case, Cat, Dresser & John Deere

John Deere,

John Deere
Pins

Engine Side Shields, Belly Pans, Etc.

Brake Parts

John Deere Bushings
& Self Aligning Ball Bushings

Brake Bands,

Radiators, Water Pumps,

John Deere Seats, Backs & Armrests

Pressure Plates & Clutches

Transmission & Final Drive Parts

Final Drive Bearing Kits

Manifolds

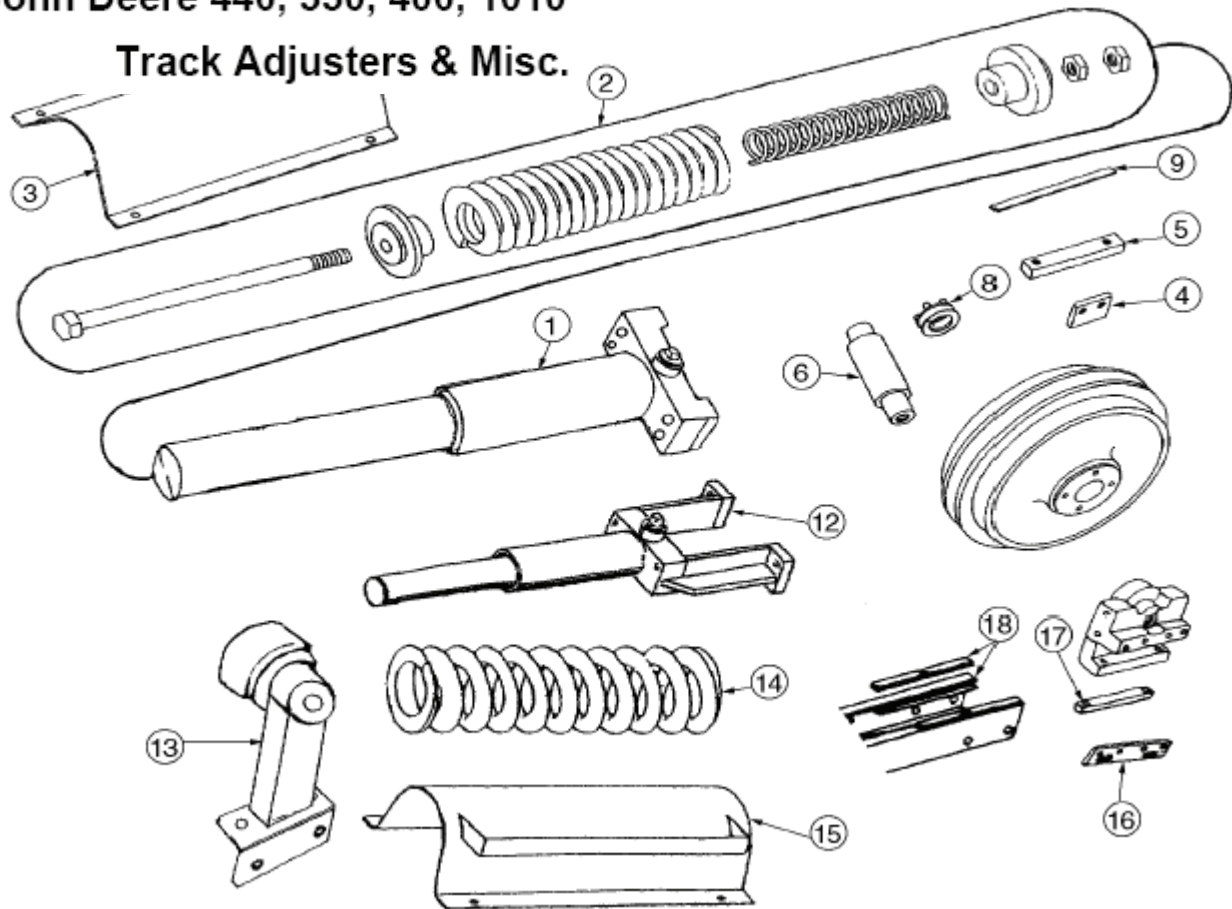
Mufflers & Pipes

Transmission Discs

Hydraulic & Charge Pumps

John Deere 440, 350, 400, 1010

Track Adjusters & Misc.

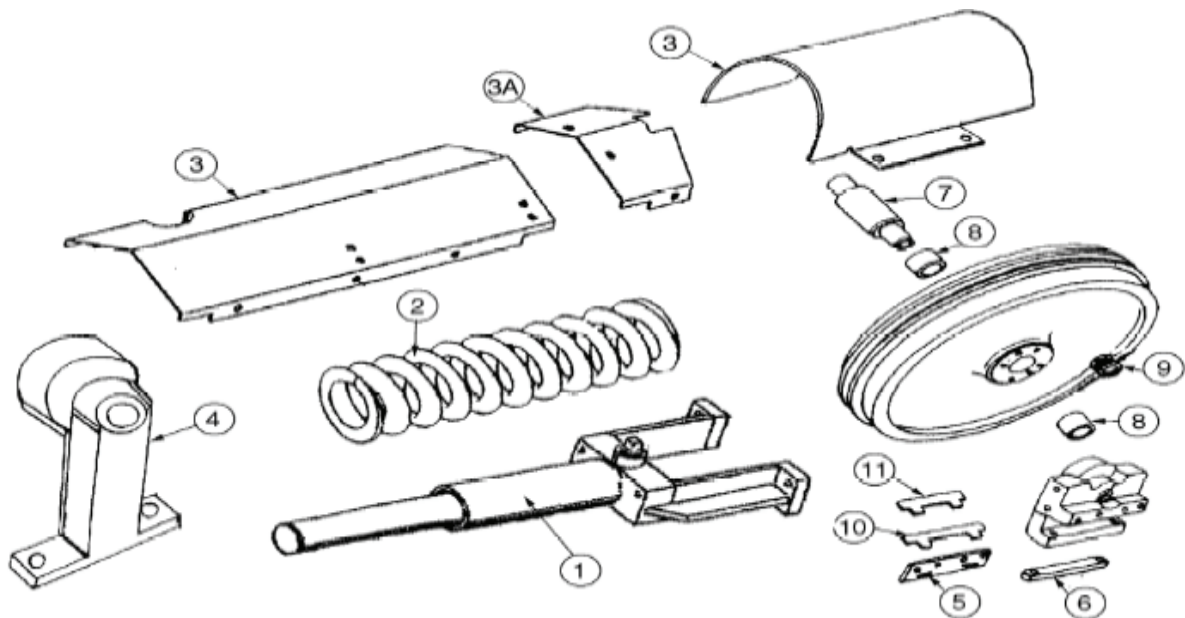


John Deere Track Adjusters & Misc.

400, 350, 2010, 450, 455, 550, 555

John Deere 450G, 455G, 550G

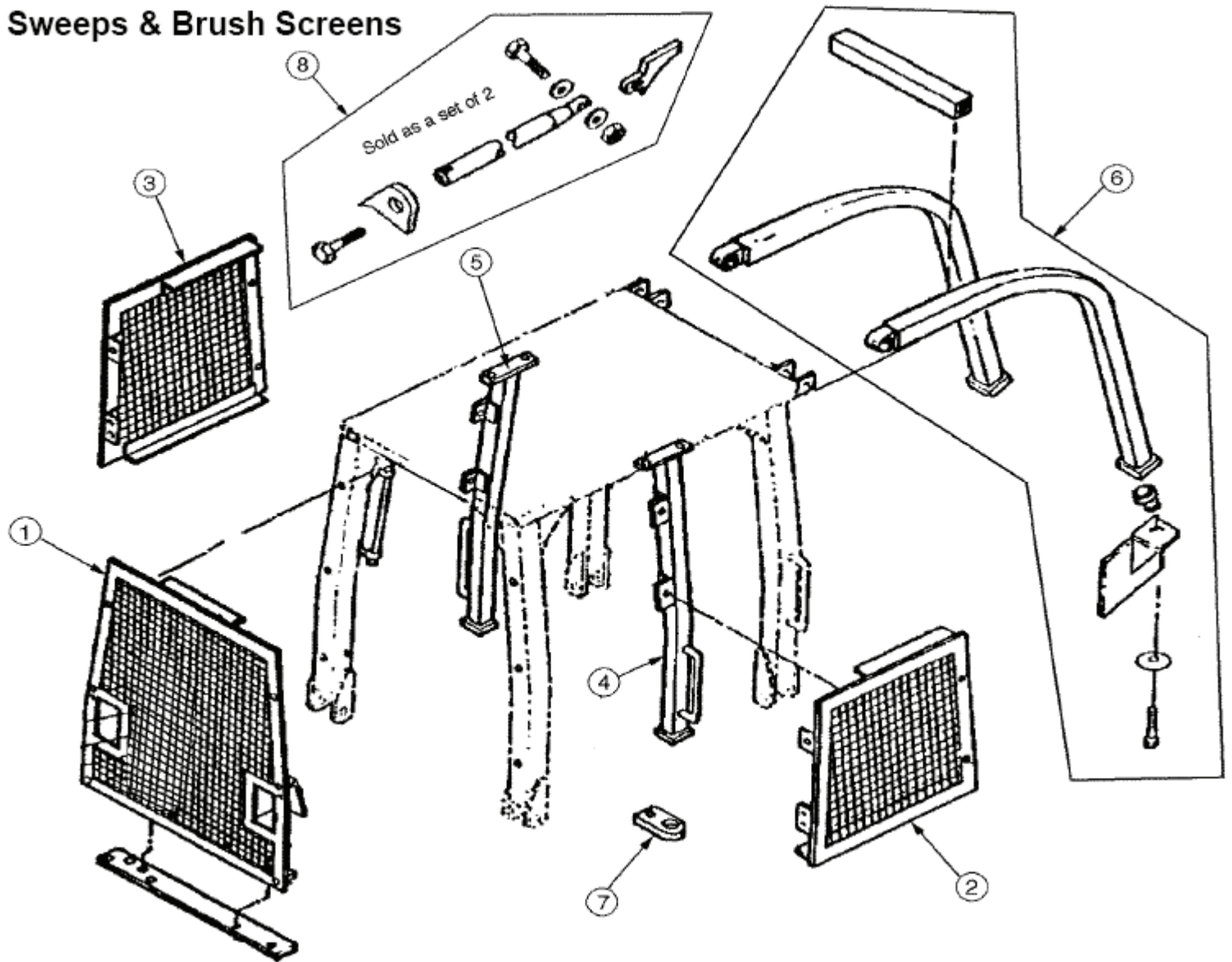
Track Adjusters & Misc.



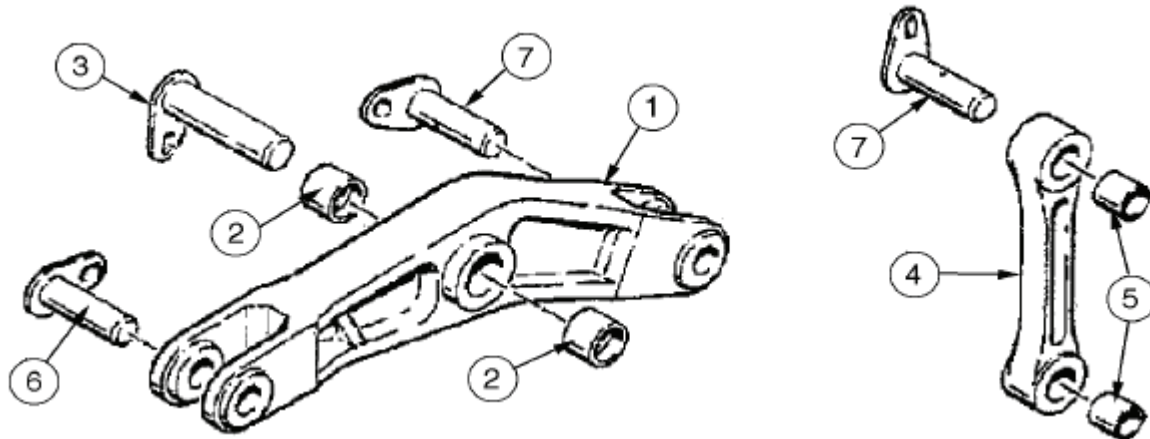
John Deere 450H, 555G, 650G, 650H

Track Adjusters & Misc.

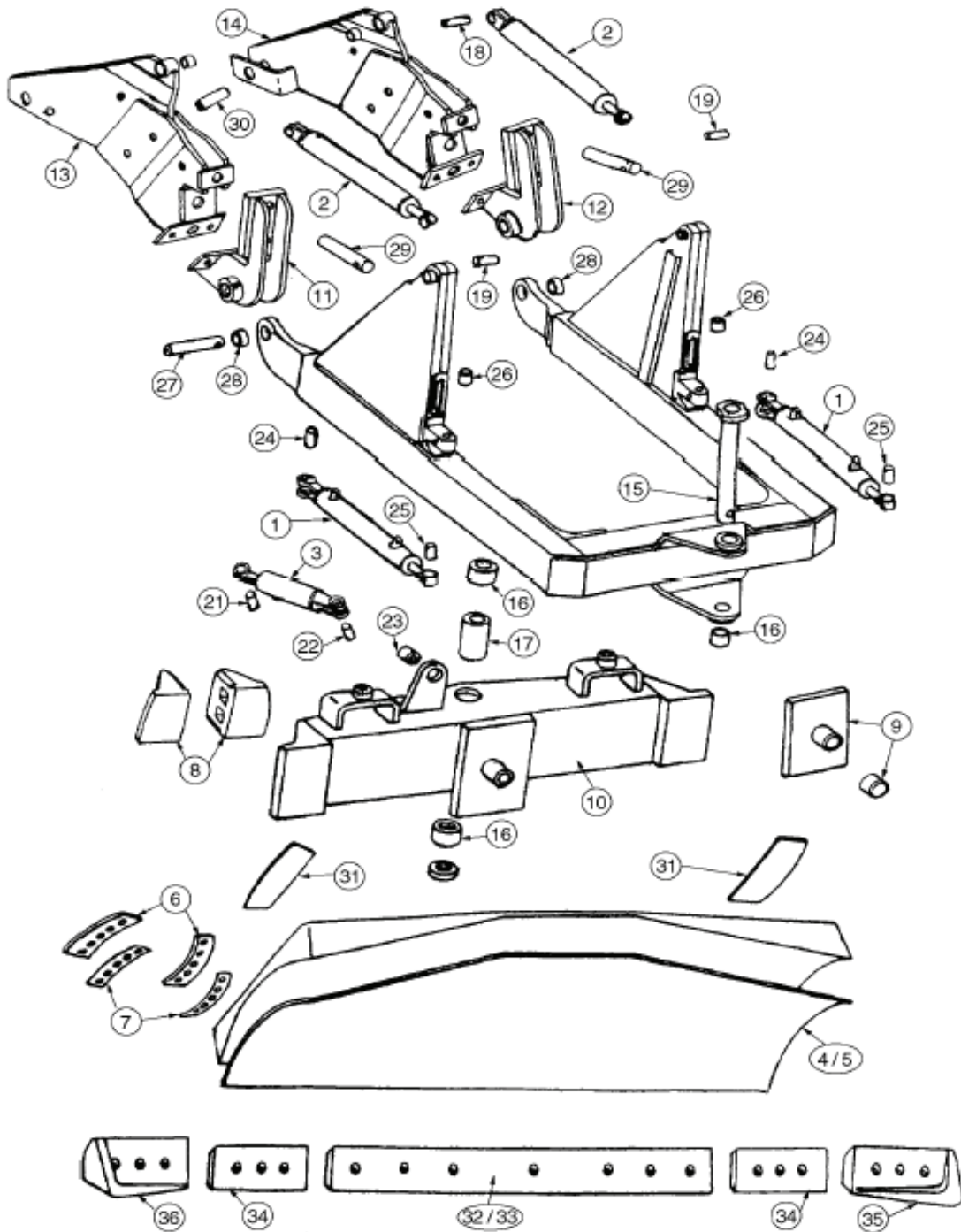
John Deere Sweeps & Brush Screens



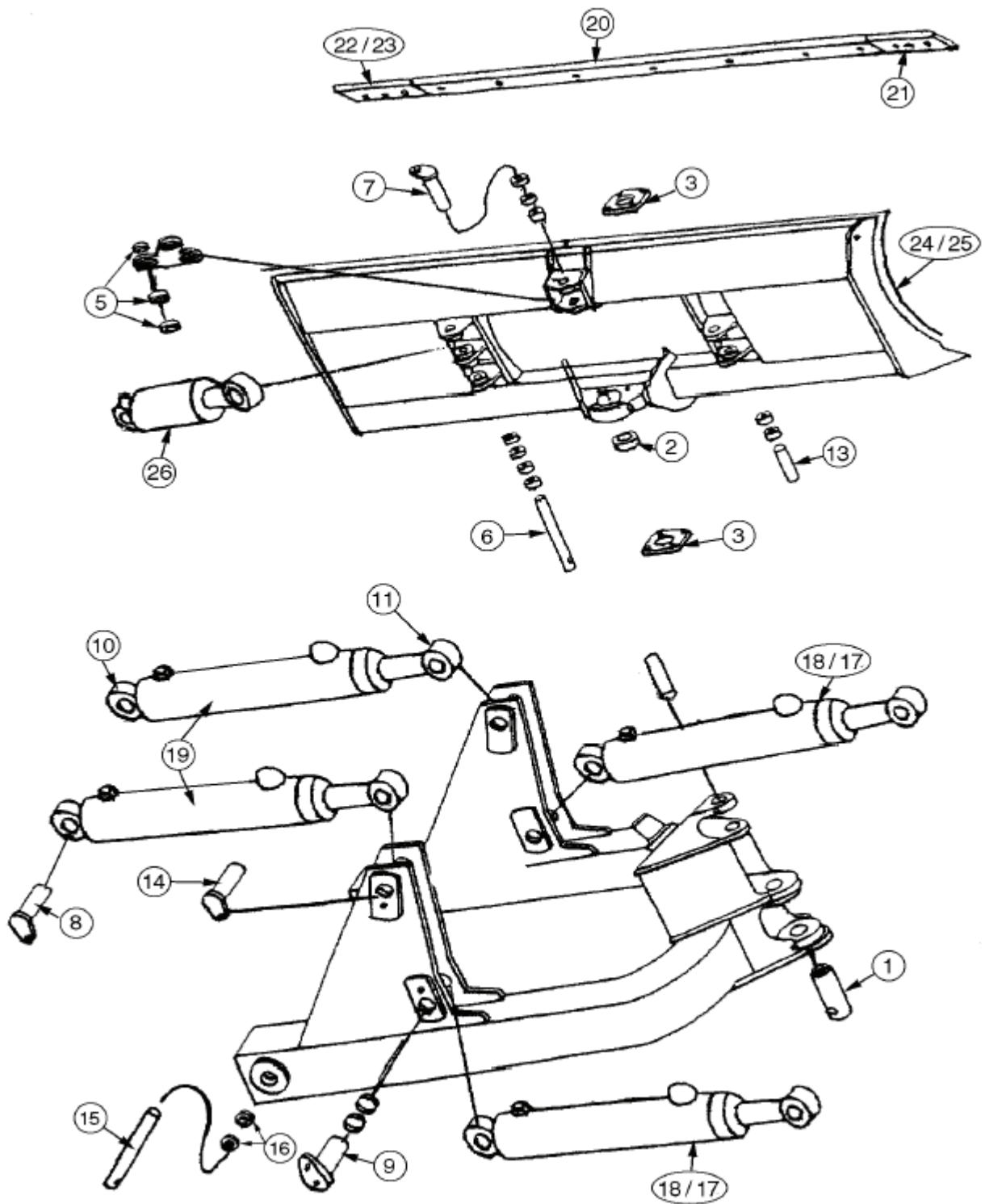
John Deere Bellcranks, Pins & Bushings



John Deere 350, 450, 550
Hydraulic Cylinders & Blade Parts

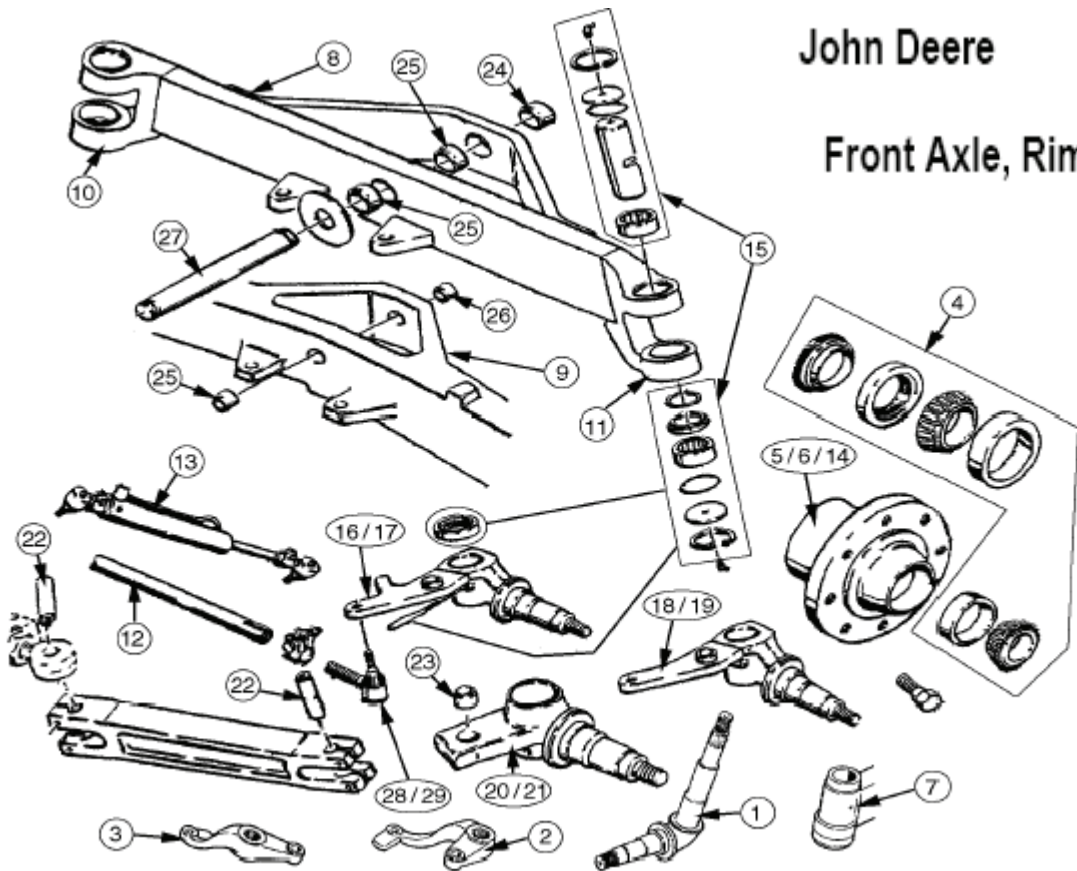


John Deere 450G, 550G, 650G
Hyd. Cylinders, Blade Parts, Etc.



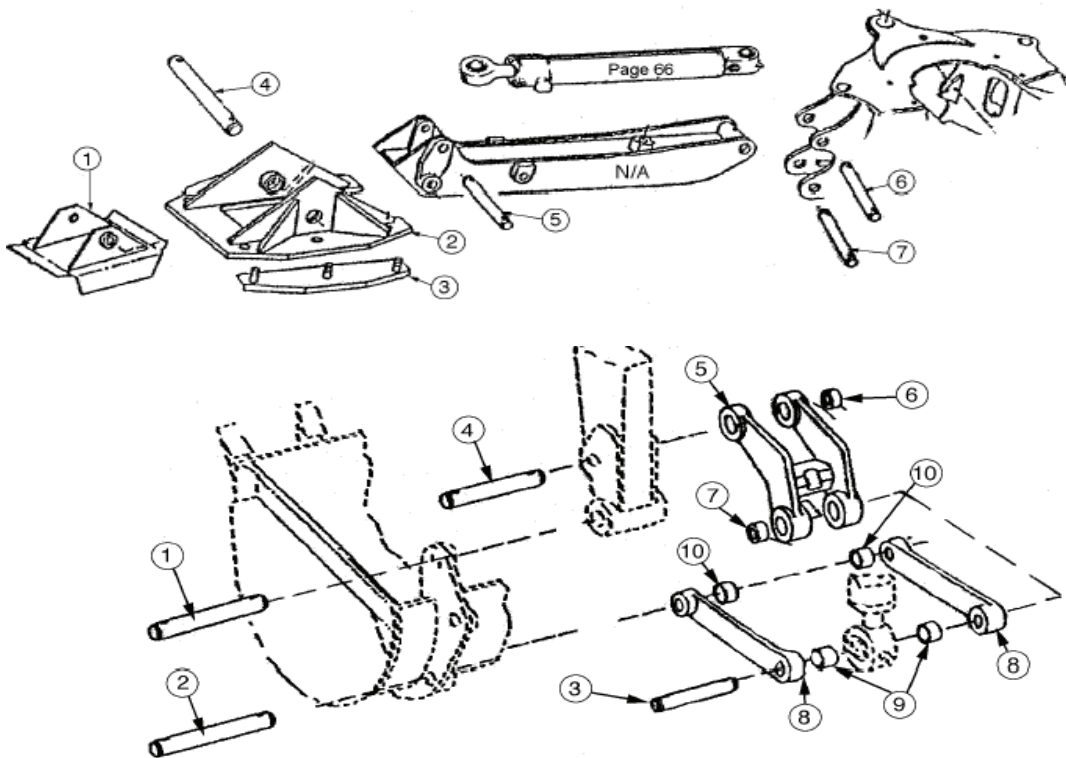
John Deere

Front Axle, Rims, Etc.



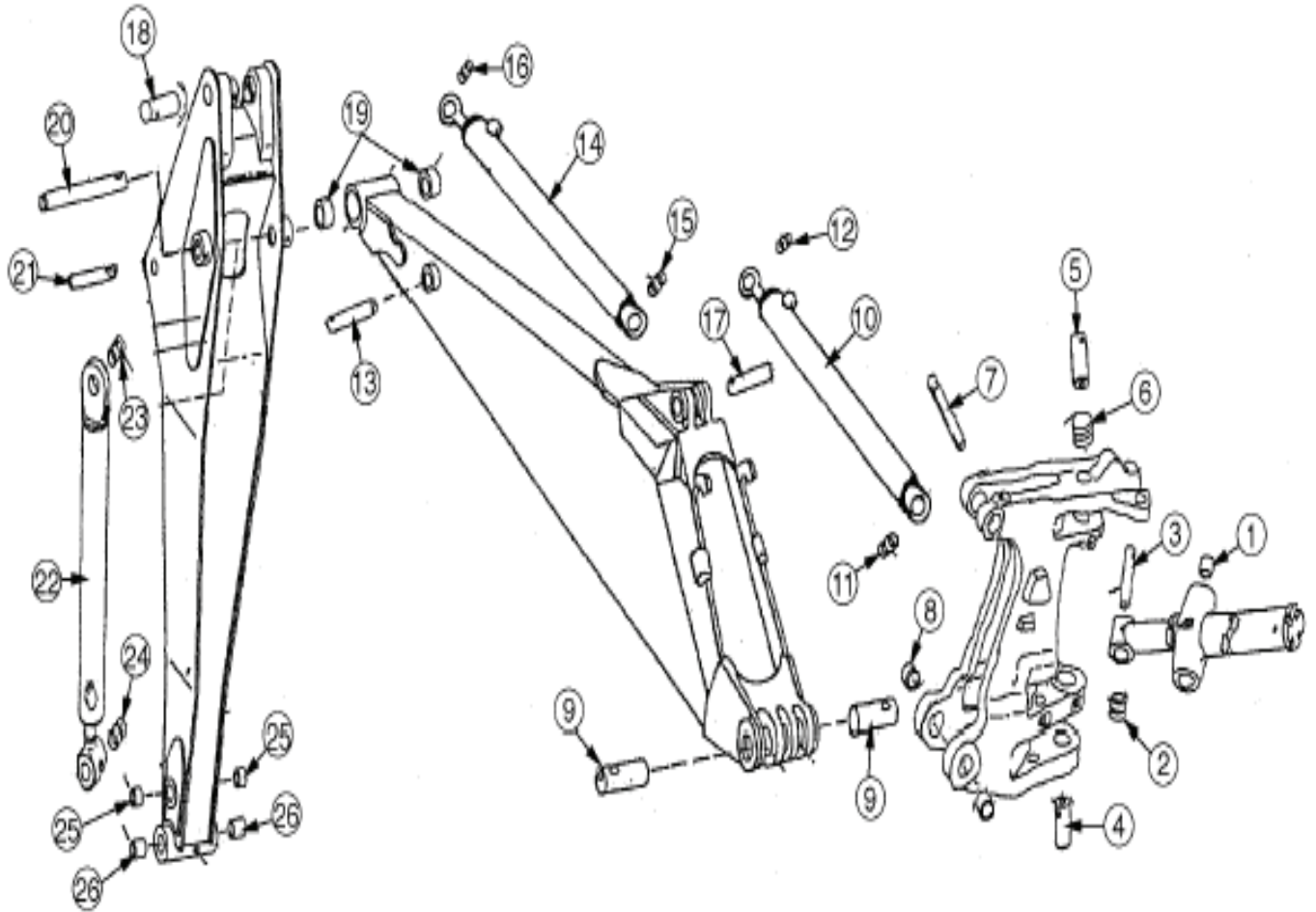
John Deere 310, 410, 510

Backhoe Parts

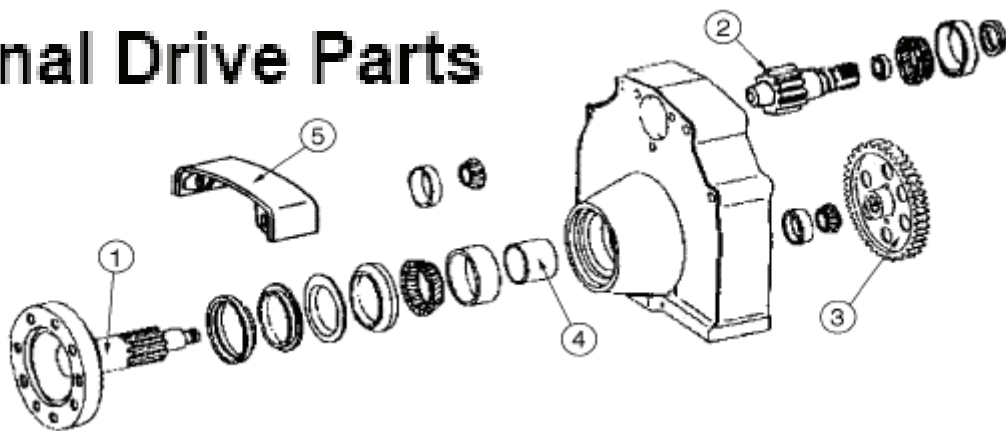


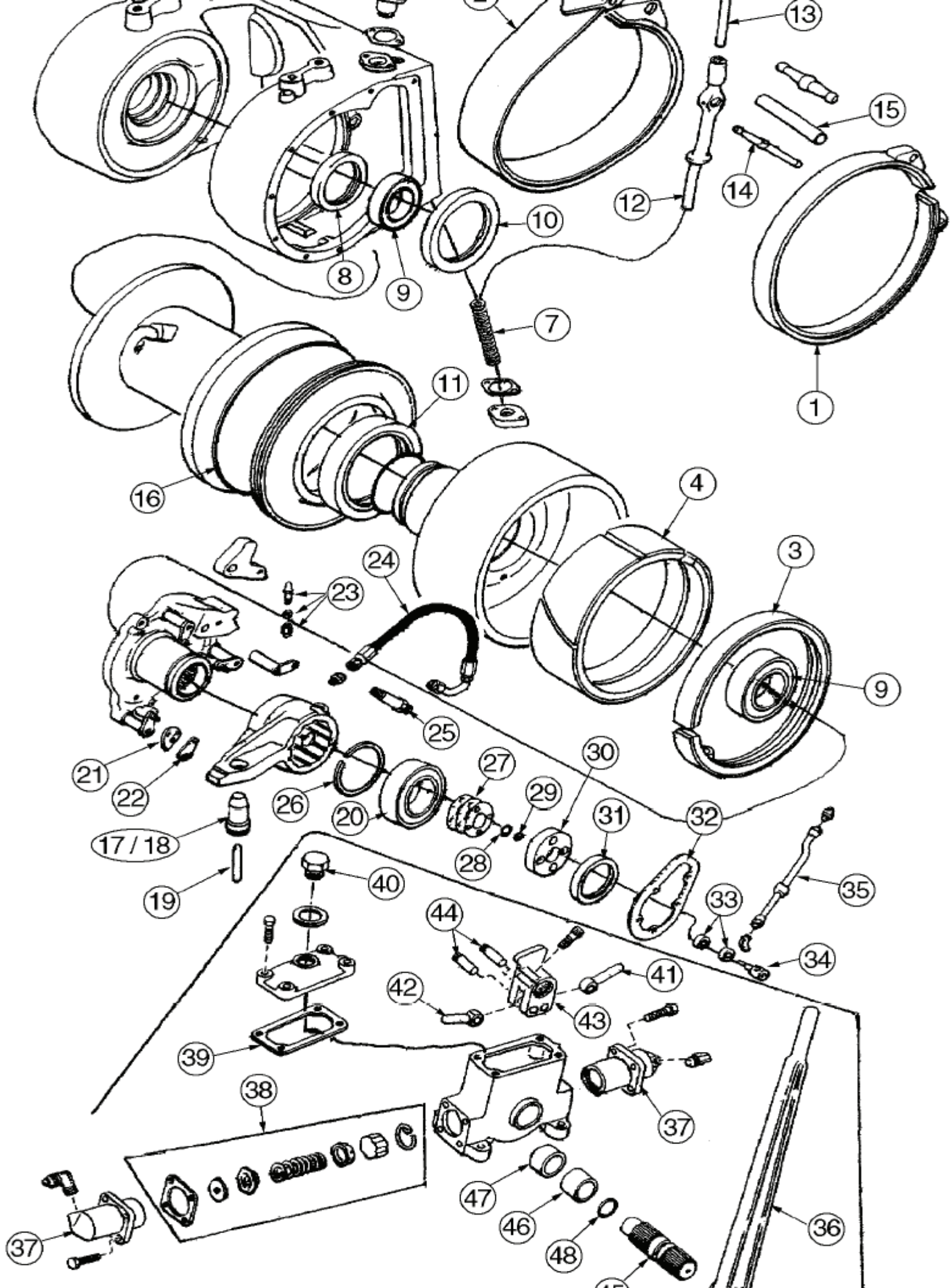
**John Deere 310, 410, 510
Backhoe Parts**

**John Deere 310C-D, 410C-D, 510C-D
Hydraulic Cylinders**



**John Deere
Final Drive Parts**





Bucket Teeth & Adapters

Part No.	Description		lbs.	Retail
H & L Style				
230010	Adapter (Weld On)	1" Edge	3.4	\$18.00
230	Tooth		2.9	10.00
23THD	Tiger Tooth		3.2	13.00
83423	Adapter (Weld On)		3.2	16.00
23P	Pin		0.1	3.00
240010	Adapter (Weld On)	1" Edge	5.5	30.00
240	Tooth HD		4.2	16.00
24THD	Tiger Tooth		4	24.00
24P	Pin		0.1	5.00
2500150	Adapter (Weld On)	1 1/2" Edge	8	38.00
250	Tooth HD		6.5	22.00
25THD	Tiger Tooth		6.4	28.00
25P	Pin		0.2	6.00
2700150	Adapter (Weld On)	1 1/2" Edge	20	85.00
270	Tooth HD		8.1	30.00
27P	Pin		0.2	7.00
Esco Style (Pin and Lock Needed For Each Tooth)				
18TL	Tilt Tooth		3.1	\$12.00
18PN	Pin		0.1	2.25
18LK	Lock		0.1	2.25
25S	Sharp Tooth		5.1	20.00
25/30PN	Pin		0.2	3.75
25/30LK	Lock		0.1	3.25
30S	Sharp Tooth		7	22.00
35S	Sharp Tooth		9	32.00
35PN	Pin		0.1	5.00
35/40LK	Lock		0.1	3.75

Cutting Edges

JD Cutting Edges		
U11708	350 End	\$18.00
U15152	JD 350 Center	65.00
U11707	350B-CD Center	50.00
U15752	1010, 350 Center	65.00
T31148	450 End	21.00
U16562	450 HD End RH	60.00
U16563	450 HD End LH	60.00
U16748	450 Center	75.00
T32742	450E, 550B Center	70.00
T162841	450G, 550G, 650G End	32.00
T120979	450G Center	95.00
T120980	550G, 650G Center	105.00

John Deere Switches & Gauges	
AT104655	Engine Water Temp Gauge
AT104656	Engine Oil Press Gauge
AT104658	Trans Oil Temp Gauge
AT104755	Engine Water Temp Gauge
AT104809	Fuel Gauge
AT145930	Key Switch
AT145931	Key Switch
AT149005	Engine Water Temp Gauge
AT164542	Engine Oil Press Gauge
AT37411	Engine Oil Press Gauge

Hydraulic & Manual Thumbs

Mini Excavators & Backhoes (8,000 to 15,000 lb. Excavator) 12"X36"

- PV4200 Manual Thumb (3 Tines)
- PV4201 Hydraulic Thumb (3 Tines)

70 Series Thumbs (15,000 to 22,000 lb. Excavator) 12"X40"

- PV4300 Manual Thumb (3 Tines)
- PV4301 Hydraulic Thumb (3 Tines)

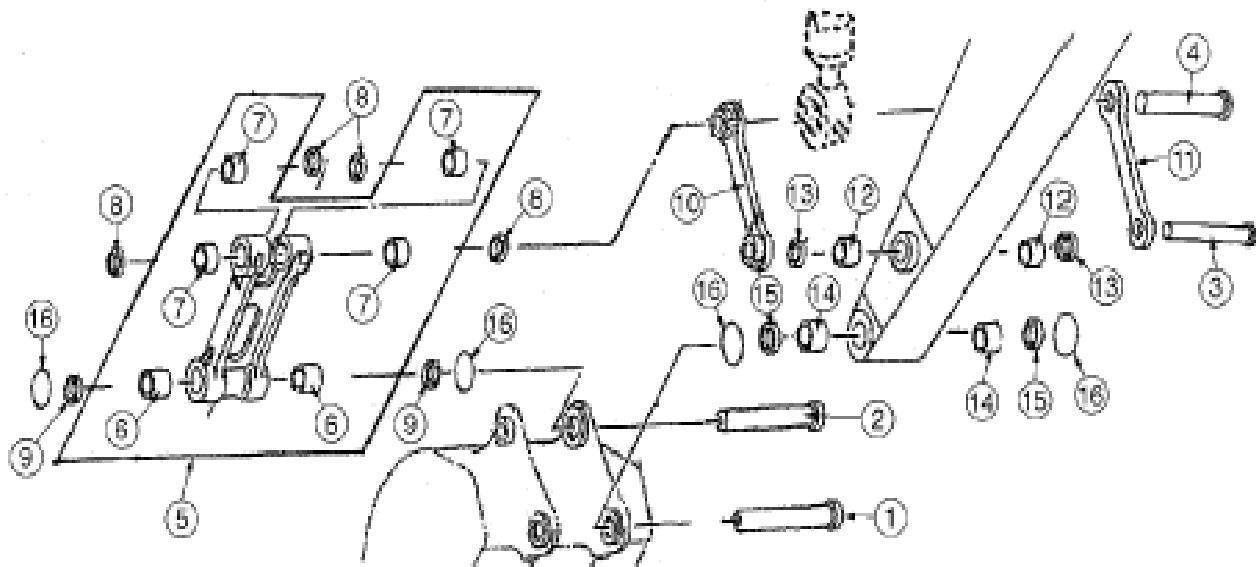
120 Series Thumbs (24,000 to 36,000 lb. Excavator) 18"X50"

- PV4500 Manual Thumb (4 Tines)
- PV4501 Hydraulic Thumb (4 Tines)

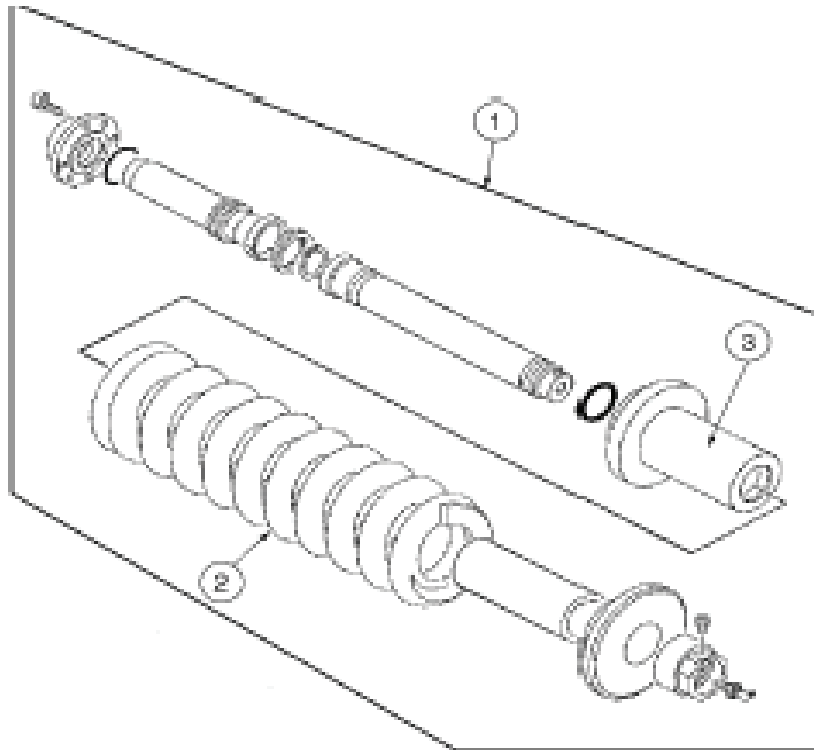
200 Series Thumbs (40,000 to 46,000 lb. Excavator) 24"X58"

- PV4600 Manual Thumb (4 Tines)
- PV4601 Hydraulic Thumb (4 Tines)

John Deere & Hitachi Excavator H-Links, Pins, & Bushings



John Deere & Hitachi Excavators Track Adjusters & Spring Assemblies



Backhoe & Excavator Buckets